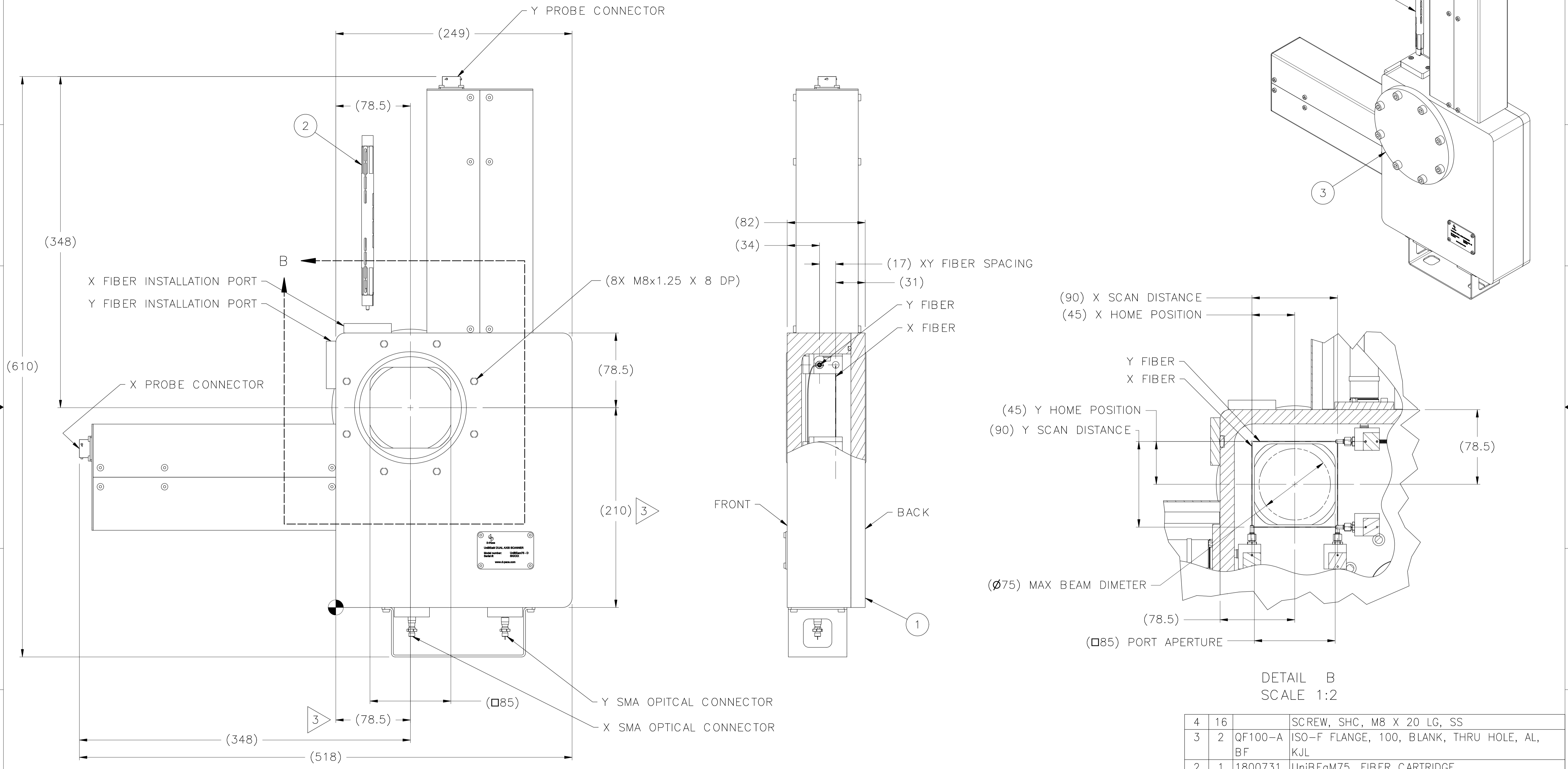


CONFIDENTIALITY  
 THE CONTENTS OF THIS DRAWING INCLUDE CONFIDENTIAL INFORMATION WHICH IS THE SOLE PROPERTY OF D-PACE. ANY USE, DISCLOSURE OR REPRODUCTION OF THIS DRAWING, IN WHOLE OR IN PART, WITHOUT THE PRIOR WRITTEN AUTHORIZATION OF D-PACE IS STRICTLY PROHIBITED.

REVISION HISTORY					
REV	DESCRIPTION	DCN	BY	DATE	APPROVED
A	INITIAL RELEASE				
B	NOTE 3 & FLAGGED DIMENSION ADD		JET	09/05/2018	D.POTKINS



- NOTES:
- 1 TO REPLACE FIBER, VENT VACUUM AND REMOVE FIBER REPLACEMENT PORT, INSTALL FIBER WITH TOOL PROVIDED.
  - 2 REMOVE BLANKOFF (3) BEFORE INSTALLATION.
  - 3 REFERENCE DIMENSION FOR VACUUM BOX PORT LOCATION. TOLERANCE IS  $\pm 0.1$

DETAIL B  
SCALE 1:2

ITEM	QTY	PART NUMBER	DESCRIPTION
4	16		SCREW, SHC, M8 X 20 LG, SS
3	2	QF100-A BF	ISO-F FLANGE, 100, BLANK, THRU HOLE, AL, KJL
2	1	1800731	UniBEaM75, FIBER CARTRIDGE
1	1	1800708	UniBEaM75, SCANNER PROBE

PARTS LIST

DO NOT SCALE FROM DRAWING METRIC DRAWING ALL DIMENSIONS IN MILLIMETRES	APPROVALS DRAWN J.THEROUX	DATE 25/04/2018	DEHNEL - PARTICLE ACCELERATOR COMPONENTS & ENGINEERING, INC. P.O. BOX 201, NELSON BC, CANADA, V1L 5P9 TEL: (250) 352-5162 www.d-pace.com
TOLERANCES UNLESS OTHERWISE SPECIFIED	CHECKED		
LINEAR	DESIGNED		
X ±1 X.X ±0.3 X.XX ±0.1 X.XXX ±0.03	MODELED J.THEROUX	25/04/2018	
ANGULAR ±0.5° SURFACE FINISH 1.6			

THIRD ANGLE PROJECTION	SIZE 75D	DRAWING NO. A1	REV B
NEXT ASSY	SYSTEM	SCALE	WEIGHT N/A
		SHEET 1 OF 1	